

# **FISHER & PAYKEL**

## **FREESTANDING RANGE**

---

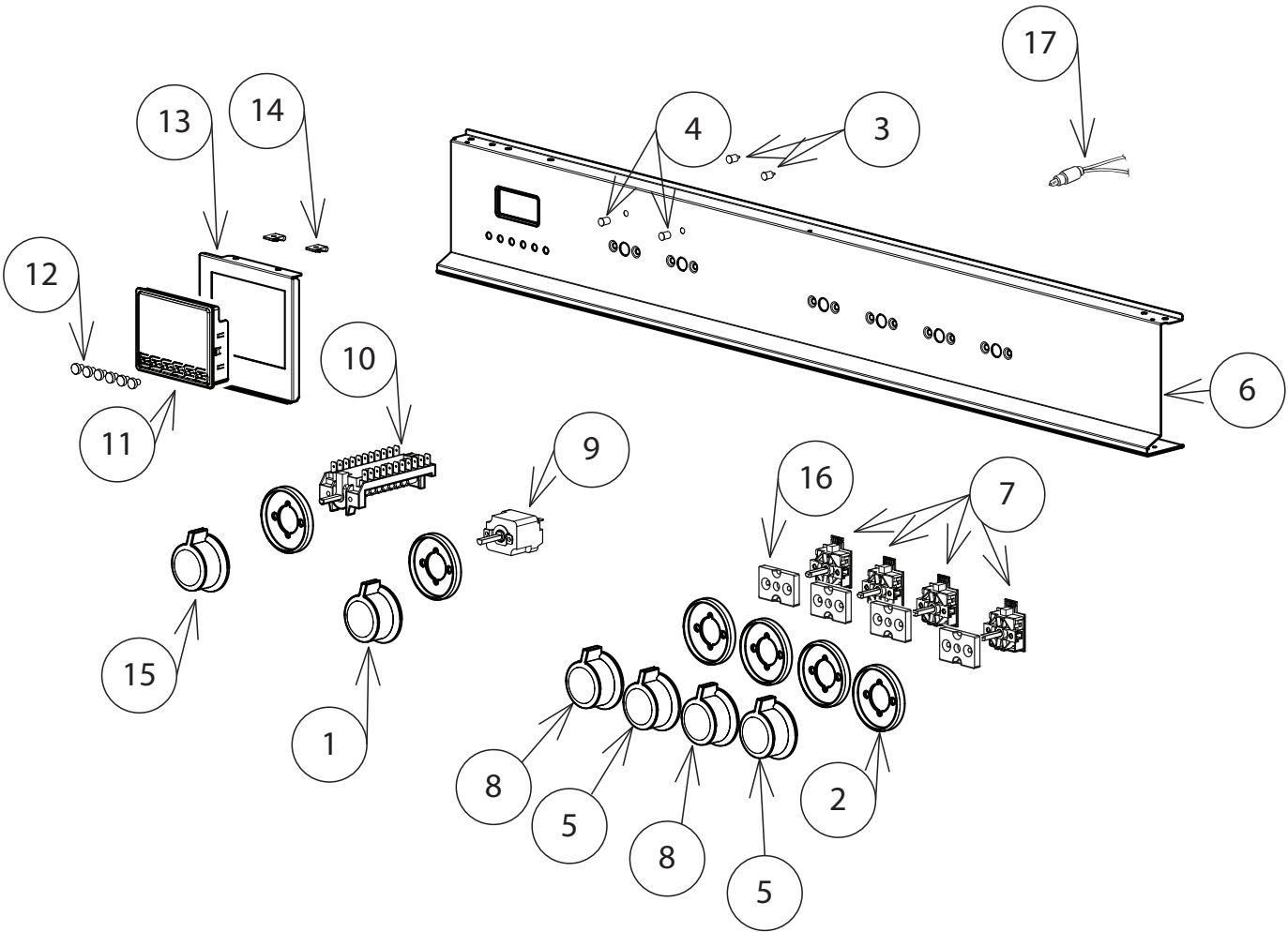
**OR90SCI1X1 FP AA**

**PRODUCT CODE: 81679-B**

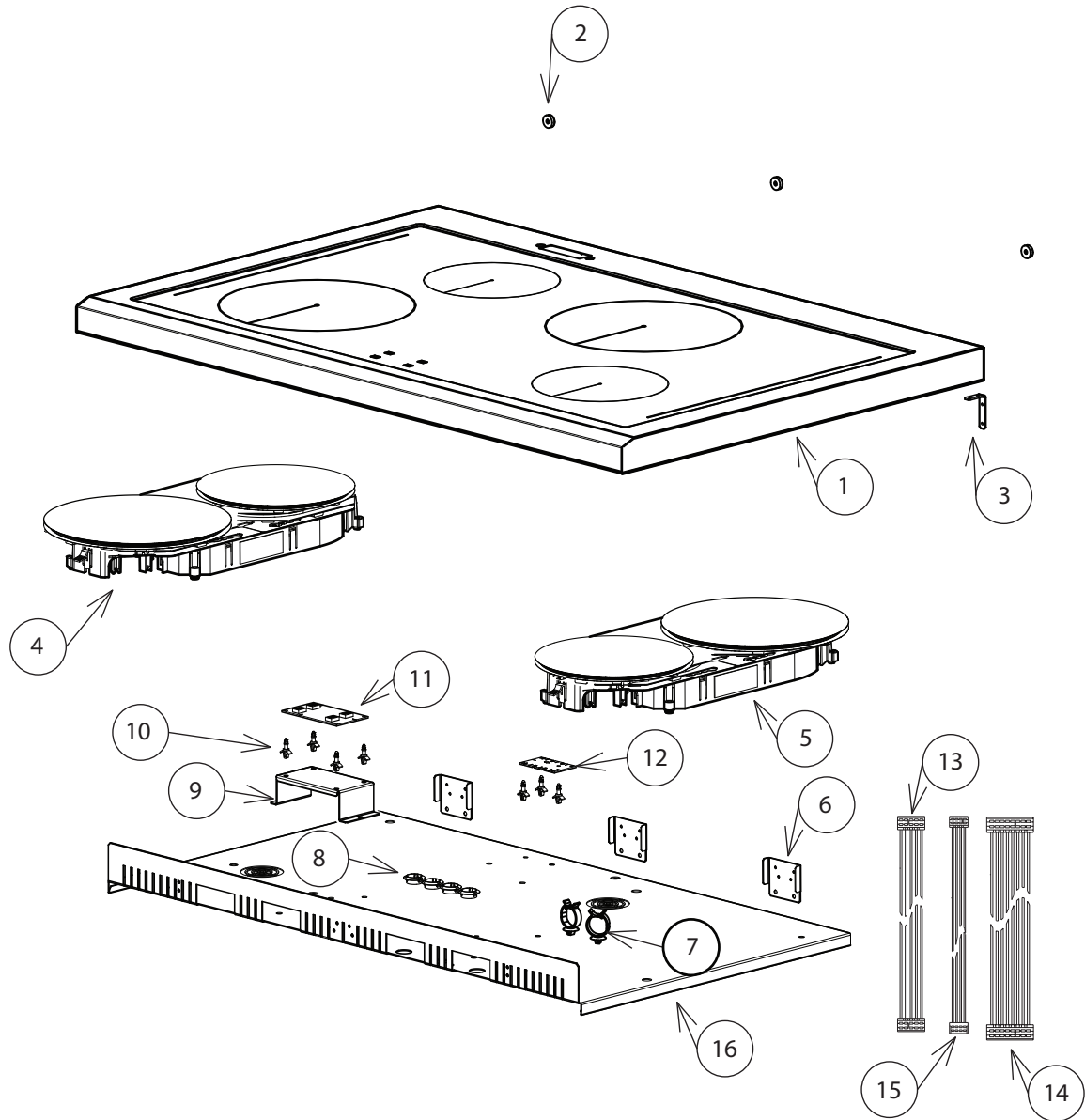
**PARTS MANUAL**

**AA**

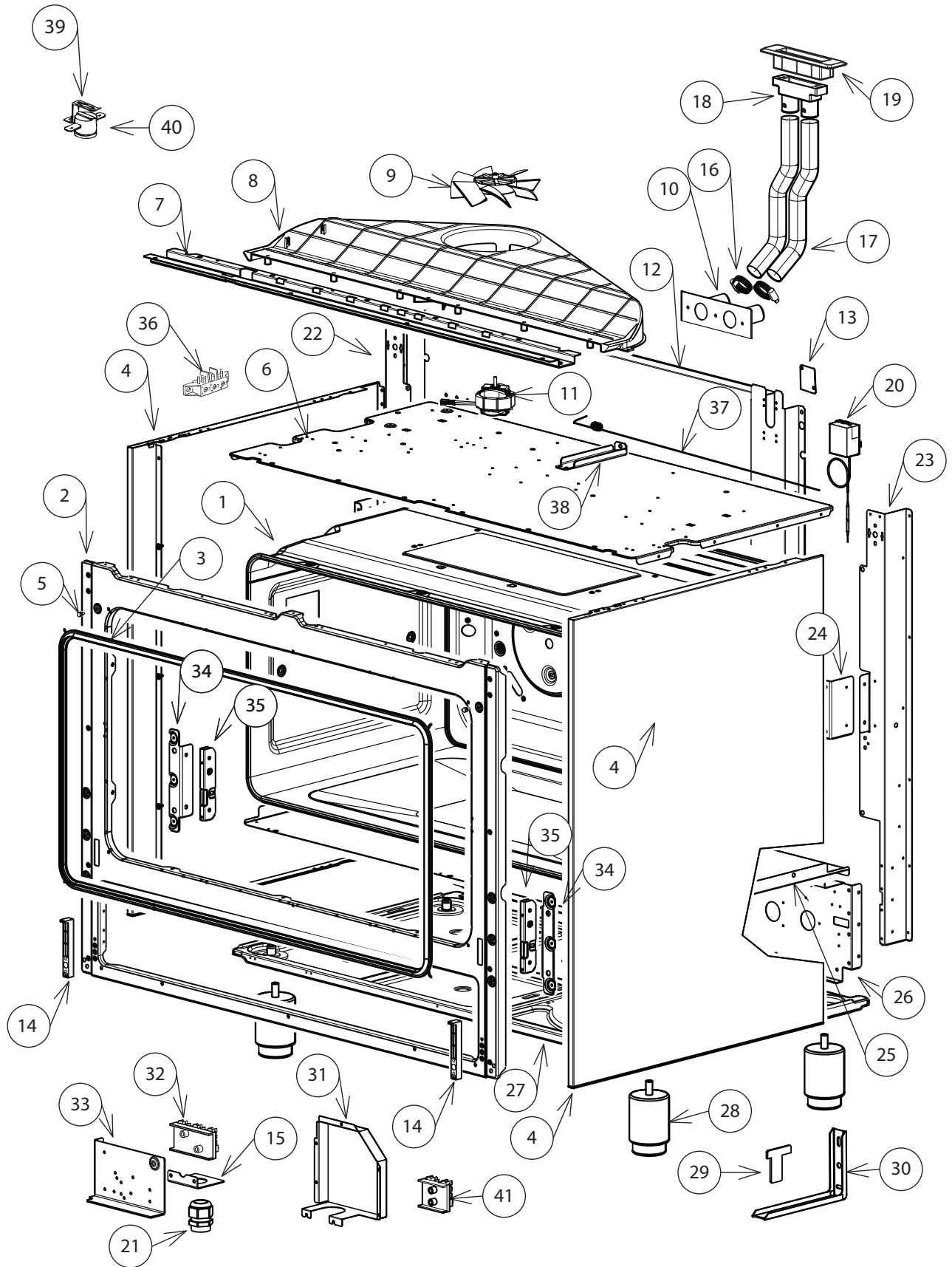
# CONTROL PANEL COMPONENTS



# HOB TOP COMPONENTS

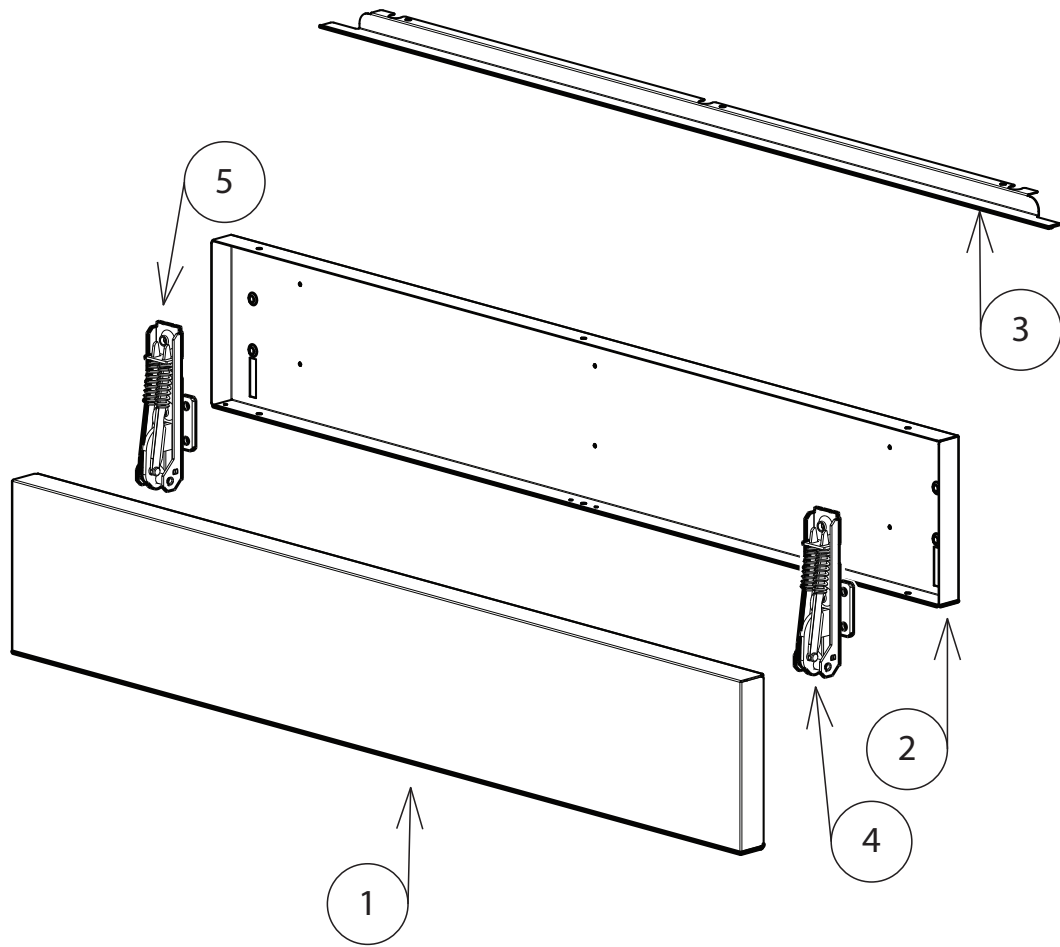


# CHASSIS COMPONENTS

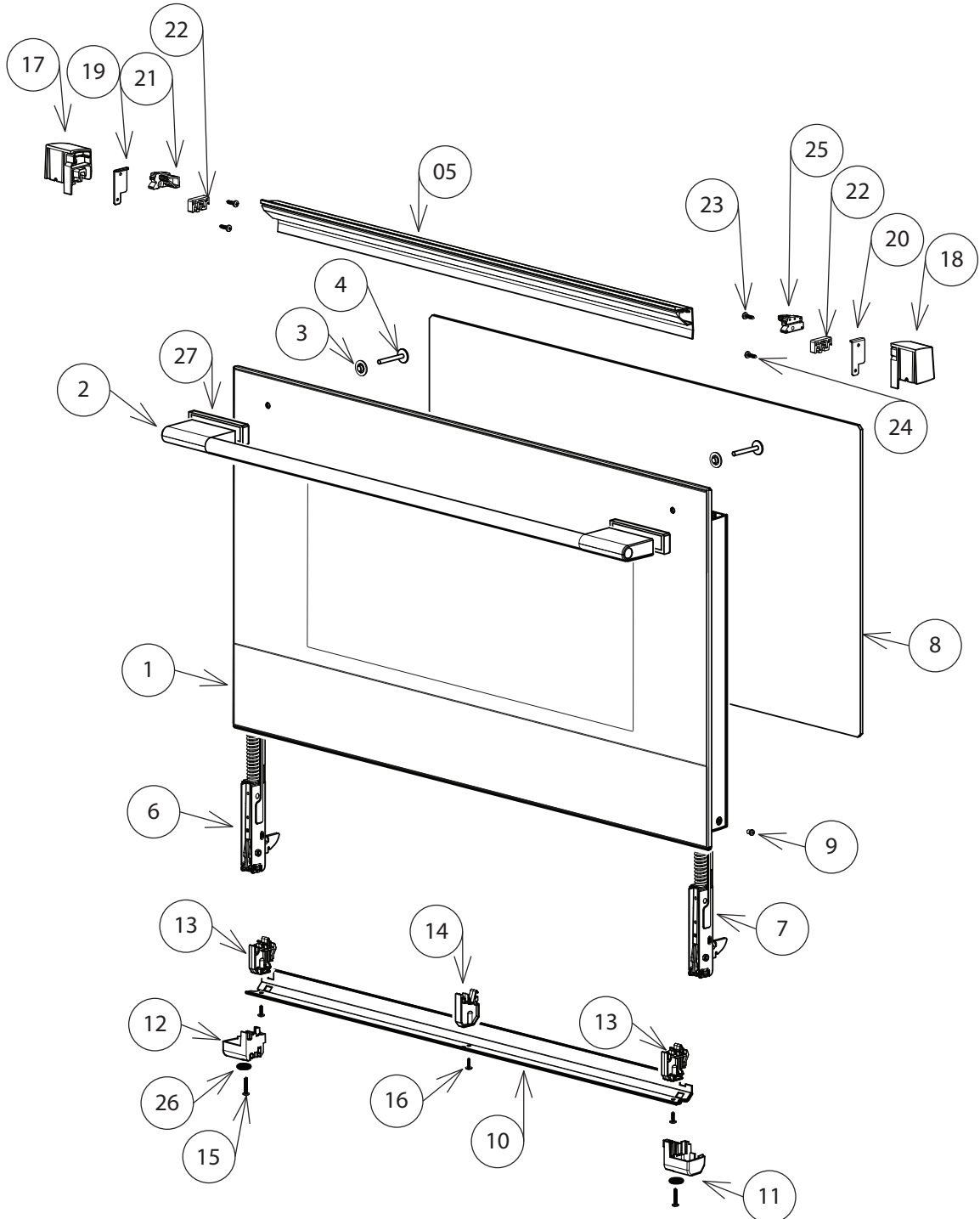


# STORAGE COMPONENTS

---



# DOOR COMPONENTS



# ELEMENTS & ACCESSORIES

